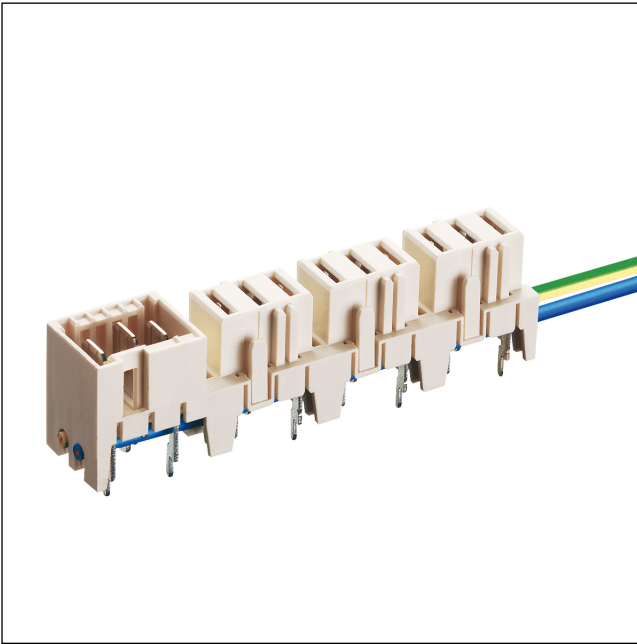


36

3680

RAST 5 connectors, pitch 5.0 mm

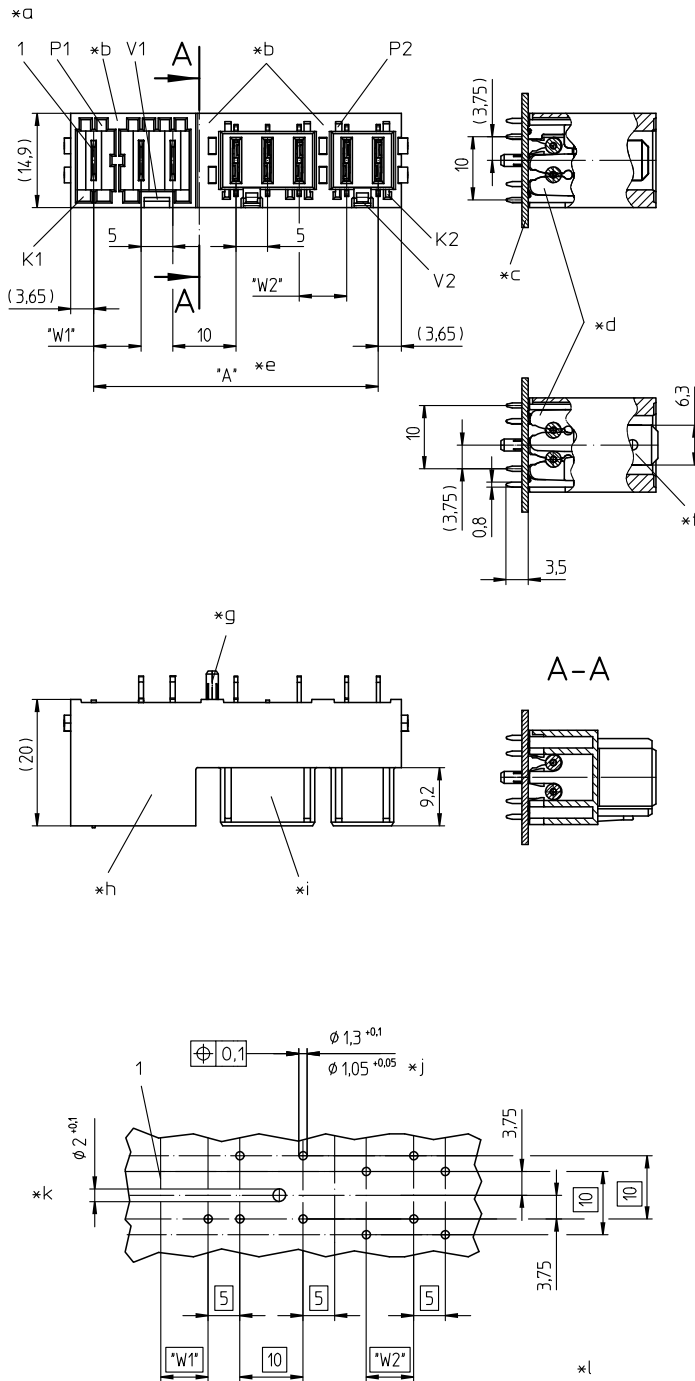


Combined RAST 5 tab and socket board, upright, free to configure with partitions, positioning spigot and neutral and/or protective conductor bridge in insulation displacement technology (IDT)

Approvals:



36 3680



Environmental conditions

Temperature range -40 °C/+120 °C¹

¹ upper limit temperature (insulating body) RTI (electric) according to UL Yellow Card

Materials

Insulating body	PA GF, V-0 according to UL94 ¹
Contact spring	CuSn, tin-plated
Contact tab with insulation displacement terminal	CuSn, pre-nickel and tin-plated
Contact tab without insulation displacement terminal	CuZn, pre-nickel and tin-plated

¹ component glow wire resistant (GWT 750 °C), testing acc. to IEC 60695-2-11, assessment acc. to IEC 60335-1 (flame < 2 s)

Mechanical data

Contact tab	6,3 x 0,8 mm according to DIN 46244
Bridge conductor	stranded wire LiY 0,75 mm ²
Insertion force/contact	≤ 4,0 N
Withdrawal force/contact	≥ 1,0 N

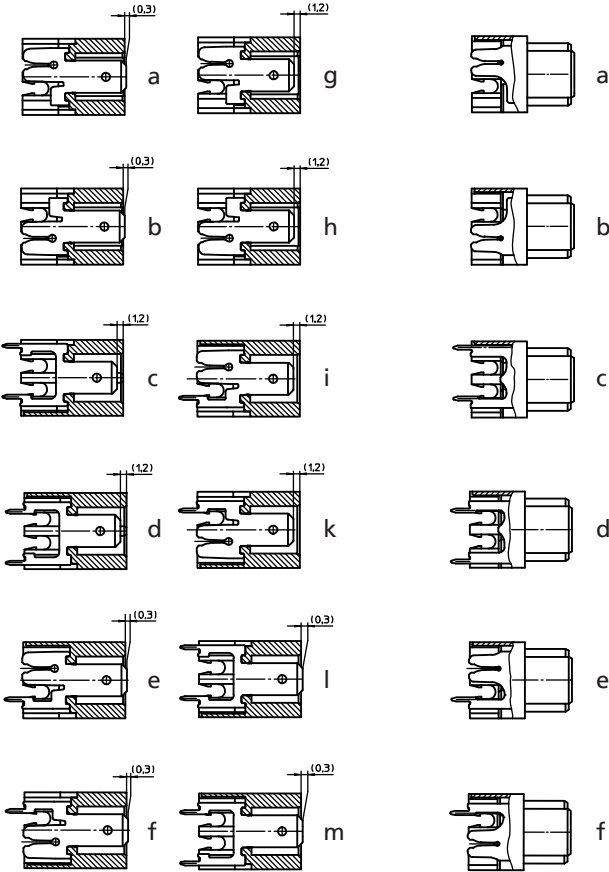
Electrical data (at T_{amb} 20 °C)

Contact resistance	≤ 5 mΩ
Rated current	10 A (T _{amb} 70 °C, VDE/ULus) 7 A (T _{amb} 70 °C, cUL)
Rated voltage	250 V AC (VDE/cULus)
Material group	IIIa (IEC)/2 (UL) (CTI ≥ 250)
Creepage distance	4,2 mm
Clearance	4,2 mm
Insulation resistance	> 10 GΩ

Associated products

Counterparts		
☞ 3611	☞ 3615	☞ 3615-1
☞ 3615-2	☞ 3615-3	☞ 3618
☞ 3618-1	☞ 3618-2	☞ 3618-3
☞ 361899	☞ 361899-1	☞ 361899-2
☞ 361899-3	☞ 3623	☞ 3623 01 V01
☞ 3626	☞ 3647	

types of tab contacts – and types of socket contacts



-
- *a K = keying
P = positioning
V = lock/space for lock
 - *b partition, space for frames of counterparts
 - *c printed circuit board
 - *d insulation displacement contacts with neutral/protective conductor bridges
 - *e $A = (P - 1) \times 5 + (W - 5) \times Y$, max. 125 mm with one-piece insulating body
P = poles
W1 = 7.5 mm/10.0 mm
W2 = 7.5 mm/12.5 mm/15.0 mm
Y = number of partitions (at least 1 partition every 12 contacts)
 - *f pre-mating protective contact, protruding 1.5 mm, possible at any position
 - *g positioning spigot (optional)
 - *h tab header
 - *i socket board
 - *j bore hole diameter 1.05 mm for press-fit of solder pins in printed circuit board
 - *k bore hole diameter 2.0 mm for press-fit of positioning spigot in printed circuit board
 - *l example for printed circuit board layout, solder side view

Designation	Pole Number	PU (Pieces)	MDQ (Pieces)
3680 02	2		200
3680 03	3		200
3680 04	4		200
3680 05	5		200
3680 06	6		200
3680 07	7		200
3680 08	8		200
3680 09	9		200
3680 10	10		200
3680 11	11		200
3680 12	12		200
3680 13	13		200
3680 14	14		200
3680 15	15		200
3680 16	16		200
3680 17	17		200
3680 18	18		200
3680 19	19		200
3680 20	20		200
3680 21	21		200
3680 22	22		200
3680 23	23		200
3680 24	24		200
3680 25	25		200

Designation to be completed by further details (e.g. for keying, color or material options).

Packaging:
in a cardboard box